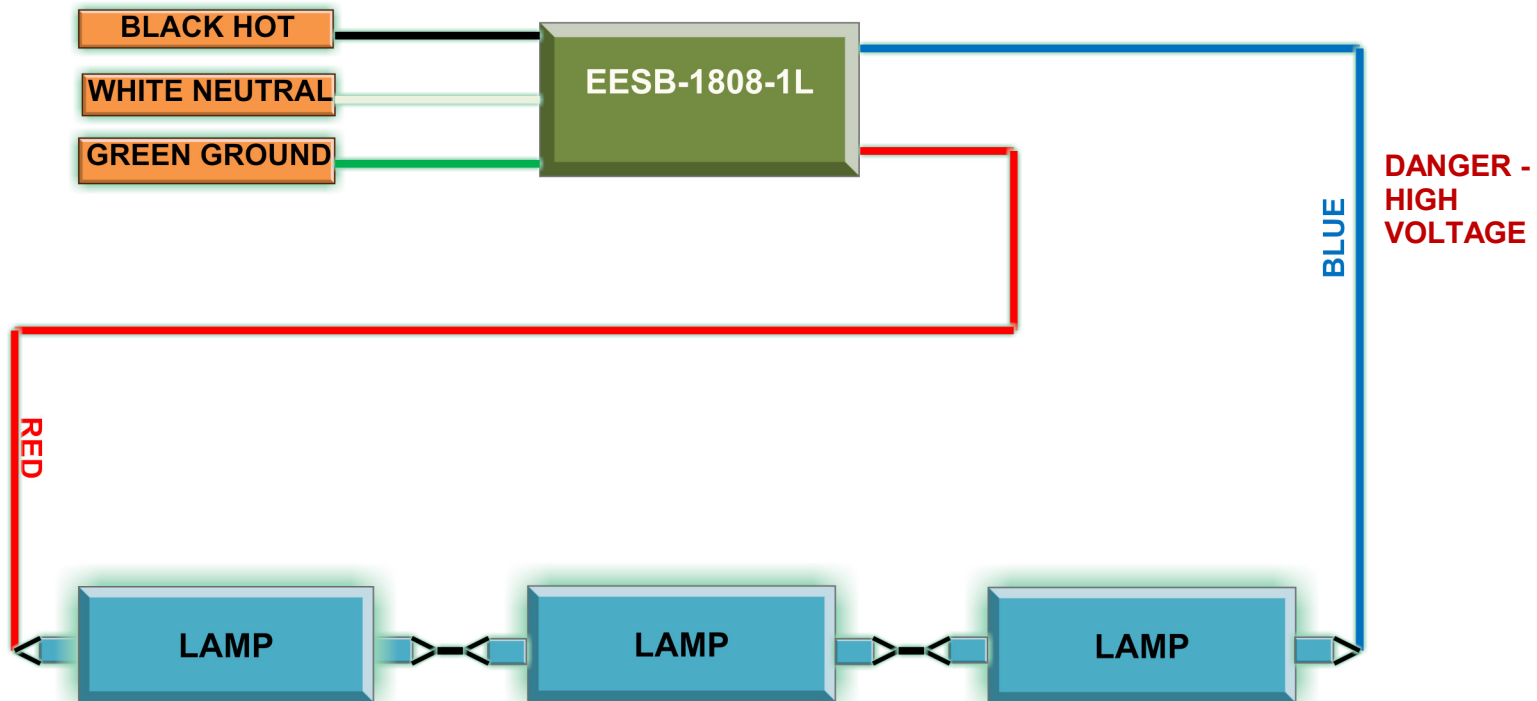


EESB-1808-1L MULTI-LAMP WIRING DIAGRAM



DISCONNECT LINE VOLTAGE BEFORE INSTALLING OR REPLACING BALLAST OR LAMPS
BALLAST CASE MUST BE GROUNDED
FOR USE ON FIXED EQUIPMENT ONLY

 **LIGHTING COMPONENTS INC.**

2273 Highway 41 South - Greenbrier, TN 37073
Phone: 615-643-1899 / Fax: 615-643-1890