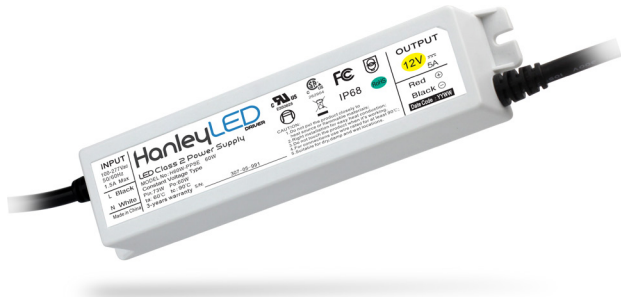


HanleyLED

HanleyLED H60W-PPSE Spec Sheet

LED Power Supply/Driver H60W-PPSE



Features

- Budget friendly 100v-277v LED driver solution
- High performance power supply
- IP67 - indoor/outdoor use, dry and damp locations
- Variable input voltage: 100-277Vac
- Working temperature: -20°C ~ +50°C
- OVP, OCP, SCP, OTP protection function
- Rating: Class 2, for use with LEDs and LED signage
- UL Retrofit Kit Classified

Warranty

Product	Labor
3 years	1 year labor if paired with HanleyLEDs

Safety Certification

Product Parameters

Output Characteristics

Rated Output Voltage	12V
Rated Output Current	5A
Rated Output Power	60W
Output Voltage Accuracy	±5% (11.4-12.6V)
Output ripple & noise	≤150mV

Input Characteristics

Input Voltage Range	100 ~ 277Vac
Input Frequency Range	50HZ ~ 60HZ
Input Current	1.05A/115Vac .5A/277Vac
Inrush Current (cold start)	≤ 60A (100-277Vac)
Efficiency	≥ 85%
Power Input	1.5A Max

Protective Characteristics

- Over-Current Protection
- Short-Circuit Protection
- Over-Voltage Protection
- Over-Temperature Protection

Environmental Characteristics

Working Temperature	-20° ~ +50°C
Working Humidity	20 ~ 95% RH (non-condensing)
Storage Temperature	-40° ~ +80°C
Storage Humidity	10 ~ 95% RH
IP Rating	IP67
Vibration	10 ~ 500HZ, 5G 30 minutes (for X, Y, Z each axis)

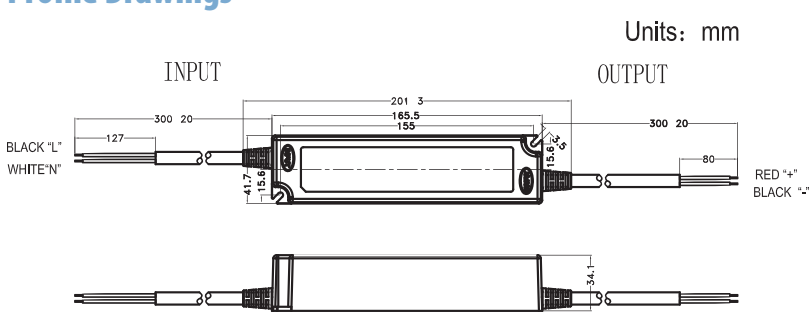
Safety and EMC

Safety Rating	IP67, Class 2
Dielectric Strength (Hi-Pot)	I/P-O/P 3.75KVac/10mA/3S I/P-Case 1.8KVac/10mA/3S
Insulation Resistance	100M0hm Max/500Vdc/3S
Grounding Resistance	100m0hm
EMC	FCC part 15classB

Other Characteristics

MTBF	>30,000Khrs. MIL-HDBK-217F (25°C)
Size	165.5*41.7*34.1mm (L*W*H)
Weight	0.35KG

Profile Drawings



- Ensure that the ground wire is properly grounded and ensure it does not come into contact with the neutral wire.
- Ensure the power supply position has sufficient airflow. Operating temperature must be between -20°C to +50°C.
- Do not overload the power supply with multiple appliances.
- Power supply operates at high temperature. To avoid injury, do not touch while in use.
- Do not install with power connected or during an electrical disturbance.
- Do not attempt to install by yourself. Please contact the supplier with any questions.
- Please read and follow the instructions carefully before installing. Ensure all contact points are in good working order.
- Please pay attention to the environment, and check for any unsafe conditions.